

# **OPERATION MANUAL**

## **SMOKELESS BBQ ROASTER**

**(Ducted Type)**

### **MODEL JX-M**

- \* Before operating this roaster unit, please read and understand the instructions specified in this manual for proper and safety use.
- \* Retain this manual for your immediate and future references.
- \* For maintenance and repairs, please contact the factory (Joytec Corporation) or the local distributors from whom you purchased the products .



#### **Warning**

Check your local gas supplier for the proper instructions to follow in the event the user smells gas. These instructions shall be posted in a prominent location.



#### **Warning**

Improper installation, adjustment, alternation and maintenance can cause property damage, injury or death.

## **CHUBU CORPORATION**

1533-1, Dogamine, Hagasaki, Kuwana, Mie,  
511-0944, Japan  
Phone: 81-594-32-1138  
Fax: . 81-594-32-1115

# ***FOR YOUR SAFETY***


## **FOR YOUR SAFETY**


Do not store or use gasoline or other flammable vapors or liquids in the vicinity of this or any other appliance


### **WARNING:**

Improper installation, adjustment, alternation, service or maintenance can cause property damage, injury or death. Read the installation, operating instructions thoroughly before installing or servicing this equipment.

- \*\* The following cautions indicate important safety subjects, please follow these directions to prevent injury or property damage.
- \*\* Indications and their meanings are as follows:

**Danger:** Improper operation without following this sign could result  
 in a dangerous situation and death or injury .

**Warning:** Improper operation could lead to death or injury.  


**Caution:** Improper operation could lead to injury or physical and property damage.  


## **WARNING**

 **Danger**


Burning charcoal may emit hazardous levels of carbon monoxide. Do not perform cooking operations unless the ventilation and exhaust systems are operating according to the manufacturer's specification. Failure to comply may result in death by asphyxiation (carbon monoxide poisoning), physical and property damage.

# Samples of sign

## Caution - Electric Shock




Indicates cautions (including warnings).

Contents of the caution are shown in or around  with pictures or words.  
The sign in the left shows "Caution - Electric Shock"

## No Disassembly




Indicates forbiddance.



Contents of the forbiddance are shown in or around  with pictures or words.  
The sign in the left shows "Do Not Disassemble".

## Check Gas Source



Indicates Compulsion.

Contents of the compulsory are shown in or around  with pictures or words.  
The sign in the left shows "Check Gas Source".

<h1>WARNING</h1>
 <b>Danger</b>
<p>If you smell gas, immediately stop operating the roaster, turn off the gas valve, open windows and doors to release the gas. Contact the local gas supplier or fire department from a neighbors phone. Never light a fire, turn on or off the light switches, plug or unplug any electric appliances (ex. exhaust fan), or use the telephone. The Leaking gas can catch fire or cause an explosion</p>
<b>No Fire</b> 

# WARNING

Use only the type of gas specified on the nameplate. Improper gas source will cause fire, burns, or carbon monoxide poisoning or mechanical troubles. If the gas source is not clear, contact the distributor of the roaster or the gas supplier.

Out of Order



In case of relocation, check whether the type of supplied gas corresponds to the gas source named in the plate on the roaster.

Improper gas source will cause the fire, burn, or carbon monoxide poisoning by abnormal burning, mechanical troubles. If the gas source is not clear, contact the distributor of the roaster or the gas supplier.

Check Gas Source



Be sure to keep the roasters' area free and clear from combustible materials. Combustible materials may cause a fire.

Forbiddance



Never leave the roaster unattended while in operation.

Abnormal operation may cause a fire.

Never leave the roasters unattended or go to bed with the roaster ignited.

Forbiddance



Follow the installment instructions for the correct clearances to combustible construction. Improper distance may create a fire hazard.

Installment Standard



Conduct visual examination the ventilating system during normal maintenance and clearing.

Warning



For safety reason, before operation, check the clearance to combustible and non-combustible construction such as floors, walls, counters.

Warning



# WARNING

Use the specified type of table.  
Improper type of table may create a fire hazard condition.

Installation Standard



Never remodel the setting around the roaster after installing the roaster. Remodeling may cause problems or conflicts with the installation standard, and may cause incomplete combustion or fire.

Forbidden



While using the roaster, operate the exhaust fan to remove products combustion and to let fresh air into the room, and never obstruct the flow of combustion and ventilation air. Ensure the following Air Supply Volume and Exhaust Air Volume for each roaster unit is provided.

Required Air Supply Volume ..... 300 m<sup>3</sup>/h per roaster  
Required Exhaust Air Volume ..... 300 m<sup>3</sup>h per roaster

The ventilation and exhaust systems must be in operation for any and all burner and cooking operations.

Ventilation



Never use the roaster without water in the water tank.  
Not enough water may cause overheating.

Forbidden



Never disassemble or remodel the roaster.  
Remodeling or disassembling may cause abnormal operation or troubles.  
Contact your local service representative or the factory if you have any problems.

No Disassembly



In the event of an emergency such as earthquake or fire, immediately stop using the roaster. If you experience abnormal burning, odors or sounds coming from the roaster, shutoff the gas and discontinue operation until the problem is corrected. Using the roaster under such improper situation can cause fire, injury of property damage.

Stop Using



# WARNING

In the event of power failure or prolonged power failure, never attempt to operate the roaster unit. Immediately check that the gas valve is turned to the "Close Position".

Stop Using



Each roaster unit, when installed, must be electrically grounded.

Warning



Be sure to disconnect power before cleaning, maintenance and repairs.

Warning



Install the roaster on a stable, solid, and level surface.  
Failure to do so may cause injury or property damage.

Installation



Never install the roaster to the wet, damp or dusty locations.  
Installment under those circumstances will cause the incomplete combustion or mechanical troubles.

No Installment



Never use the roaster for any purpose other than the original usage specified by the manufactures. Improper usage will may cause injury or property damage and may void the warranty.

Out of Use



Use only the roasting plate, grilling mesh and grate supplied by the manufacturer. The use of improper parts may cause carbon monoxide poisoning, injury or property damage and may void warranty.

Forbidden



Never use a large pot that covers the grate. Too large pot may cause carbon monoxide poisoning, overheating or damage to the roaster.

Forbidden



# WARNING

Adjust the flame and heat according to the size of pot.  
Too high of a setting may cause the handle to burn.

Heating Power Adjustment



Keep your face away from the burner when lighting and while in operation.  
Bringing the face close to the fire may cause burns.

Watch Out Heating



Make sure to prevent your customers or anyone from using the roasters for anything other than the intended use. Never use the space below the roaster to put anything for storage or safekeeping.

Improper usage may cause the improper operation, property damage, injury or death

Forbidden



The roasting plate, grilling mesh and roaster body are hot when in operation or just after using the roaster, never touch them except the control part.  
Touching the heated parts may cause burns.

Caution - Hot



As the roasting plate, grilling mesh, water in the water tank are heated while using or just after using the roaster, use the gripper to carry them and be careful not to drop the parts or spill the water.

Dropping parts or spilling water will cause the personal injury or burns.

Caution - Hot



For proper operation and safety, inspect the clearances and air openings into the combustion chamber daily.

Warning



Shut off the gas valve at the end of the day or while not in use.

Valve

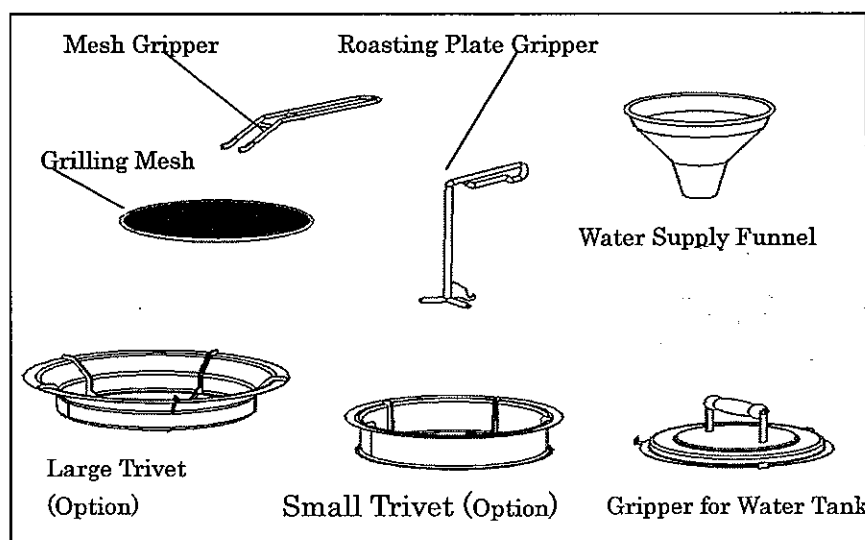
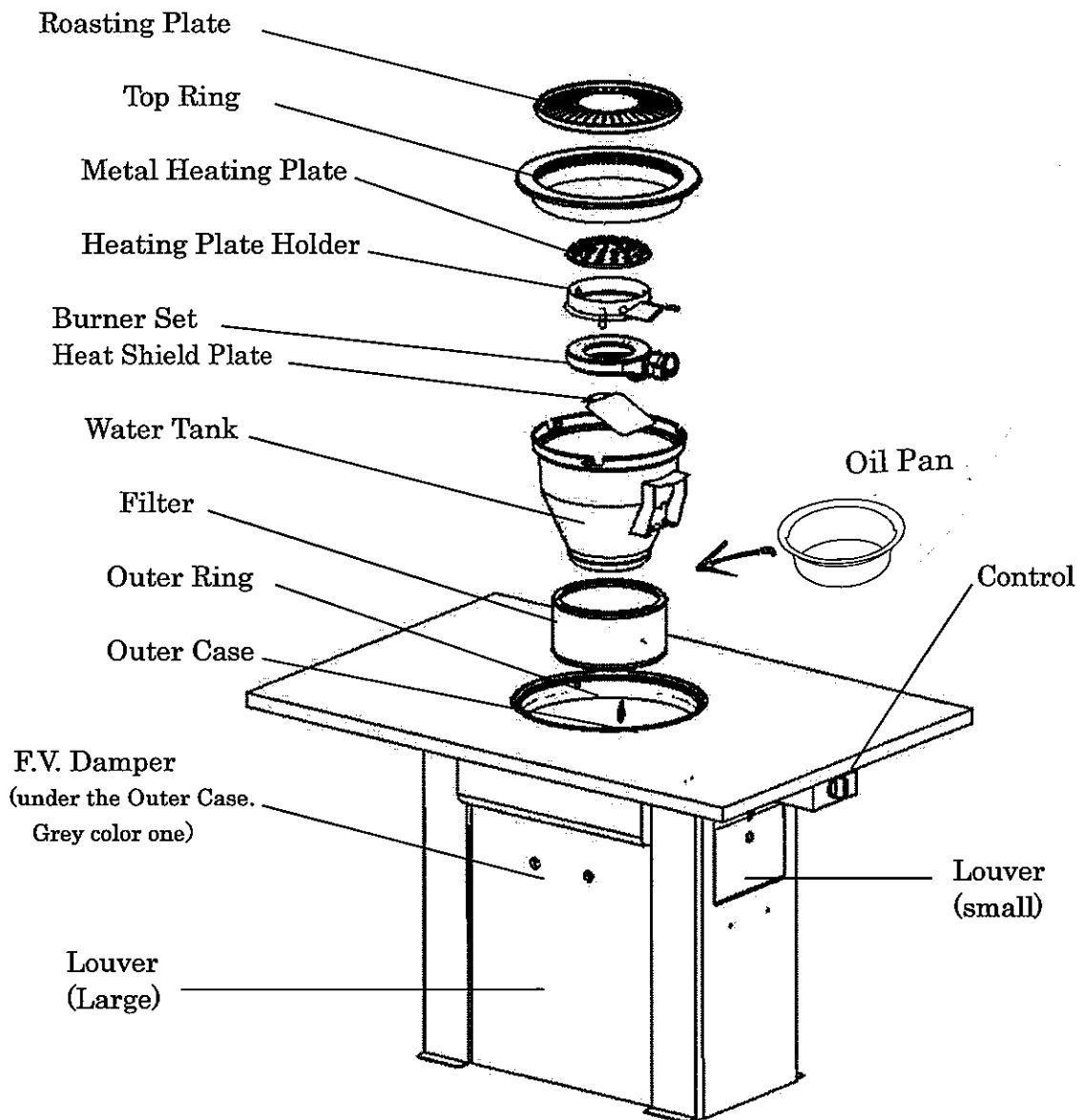


During lightning storms, shut down the circuit breaker or disconnect the power cord.  
Electric current surges caused by the lightning will cause abnormal operation or damage.

Pull the Plug Out



# MAIN PARTS





# PREPARATION

(As for the names of parts, see page 8.)

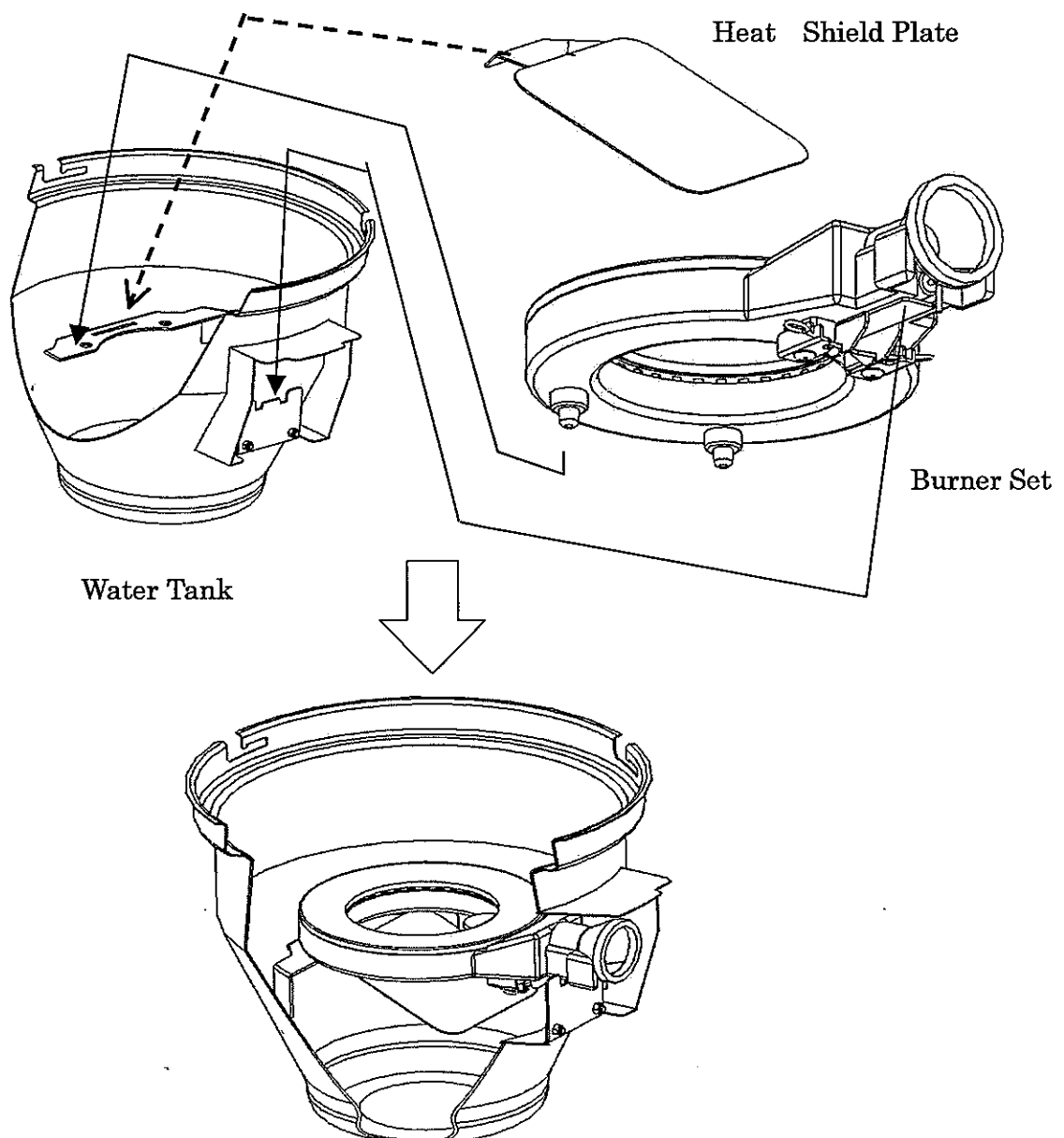
## SETTING EACH PART

- 1 Set the "FILTER" into the outer case.
- 2 Set the "WATER TANK", "HEAT SHIELD PLATE" and "BURNER SET" into the outer case.

**Note:** Put a Water Tank in the roaster unit after setting the "Heat Shield Plate" and "Burner Set" to a water tank beforehand; can be easily done.

Check whether a projection at leg of the burner is set into a hole on the water tank, and the burner-set should be set correctly and firmly.

Improper setting of Burner Set will cause to incomplete combustion or ignition failure.

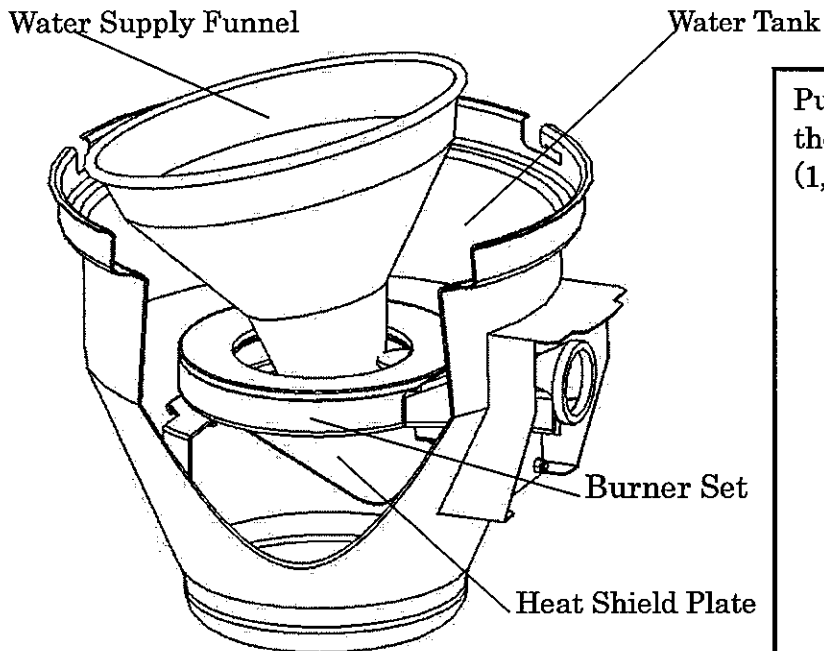


3. Put the mountain of WATER into the water tank..

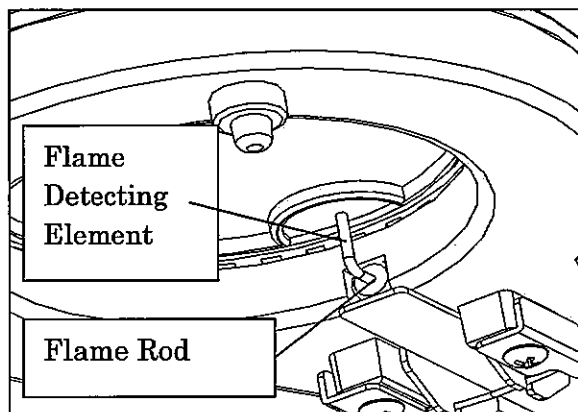
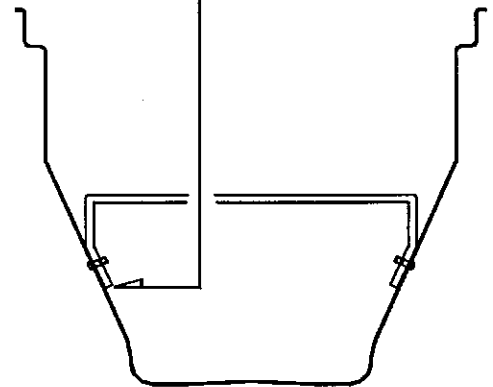
Note 1): 1,400 cc is a an appropriate amount.

Note 2): Use the provided WATER SUPPLY FUNNEL.

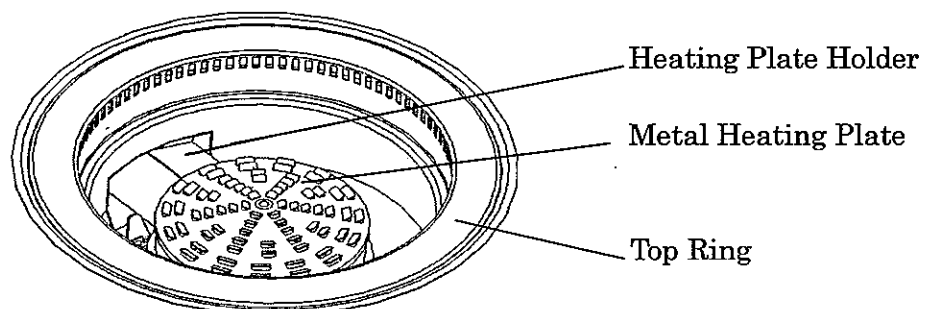
Note 3): When putting water, pay attention not to splash water onto the burner, the burner-head and electrode part of Flame Rod Safety Device. Splashed or wet burner/burner-head and electrode parts will cause to ignition failure.



Put water in an aim at this line of the part holding a burner.  
(1,400 cc is an appropriate amount.)



4. Set the "HEATING PLATE HOLDER", "METAL HEATING PLATE" AND "TOP RING".



When you cook the hot-pot with using an exclusive-use trivet, remove the Metal Heating Plate.

# DIRECTION FOR USE

## Igniting and Flame Adjustment

### Warning

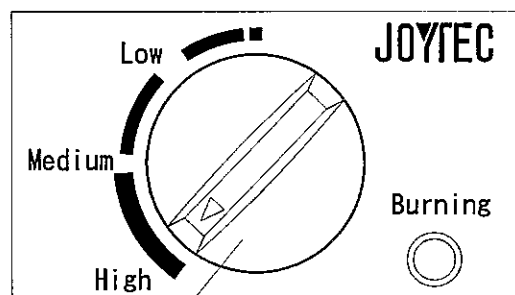
Operate the exhaust fan before igniting.  
Without ventilation, the roaster will burn incompletely and cause carbon monoxide poisoning, injury or fire.  
If the table cover (table-lid) is equipped on the roaster, remove the cover before igniting.

Ventilation

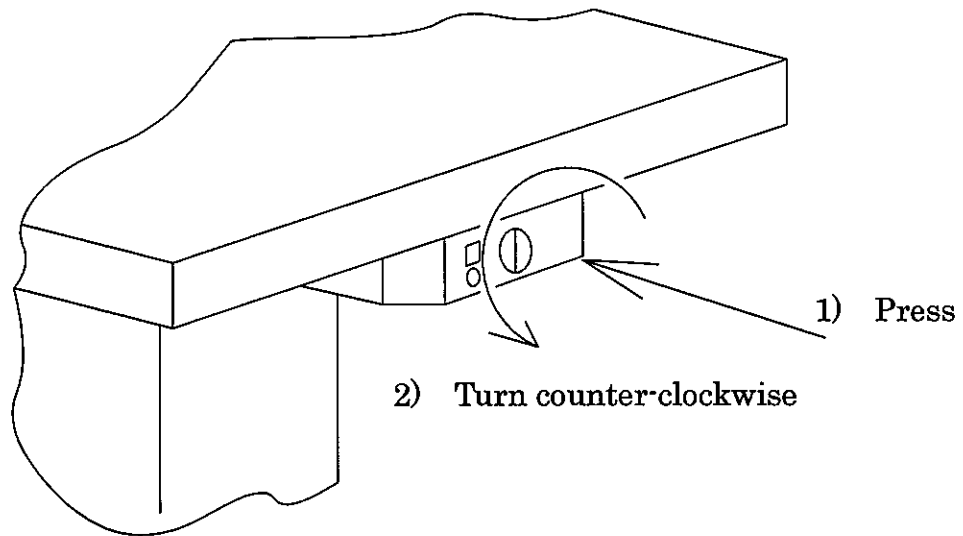


Press the ignition switch knob and slowly turn it to the “High Setting”.

Turn and Hold burner knob for a few seconds.  
The roaster will make ‘tweet-tweet-tweet’ sound and be ignited.  
When the roaster is ignited, the burning lamp lights in red.



Burner Control Valve For Gas Power



During the initial operation, or if the roaster has not been used for a long time, it may take a couple of attempts to light.

If the roaster fails to ignite after a few attempts, turn the switch back to the “Closed Position”, wait 10 seconds and try to ignite again.

Work of the re-ignition within 10 seconds can not be done due to a mechanism of the safety device's working.

## Cautions and requests

When the grilling mesh is replaced on the occasion of customers flow, check the amount of the water in the water tank and add the water if necessary.

In case of incorrect water level, a warning buzzer will sound and the unit shut off the gas.

## EXTINGUISHING (after operation)

1. Check the gas control valve is turned fully to the right “Closed” position.
2. The exhaust fan switch should be turned off for a while after extinguished.

( This is to cool the internal body of roaster, devices, etc.)

# CLEANING & MAINTENANCE

For the proper operation and safety, make sure to carry out daily cleaning of the following parts:

## 1. Top Ring, Metal Heating Plate, Holder for Heating Plate,

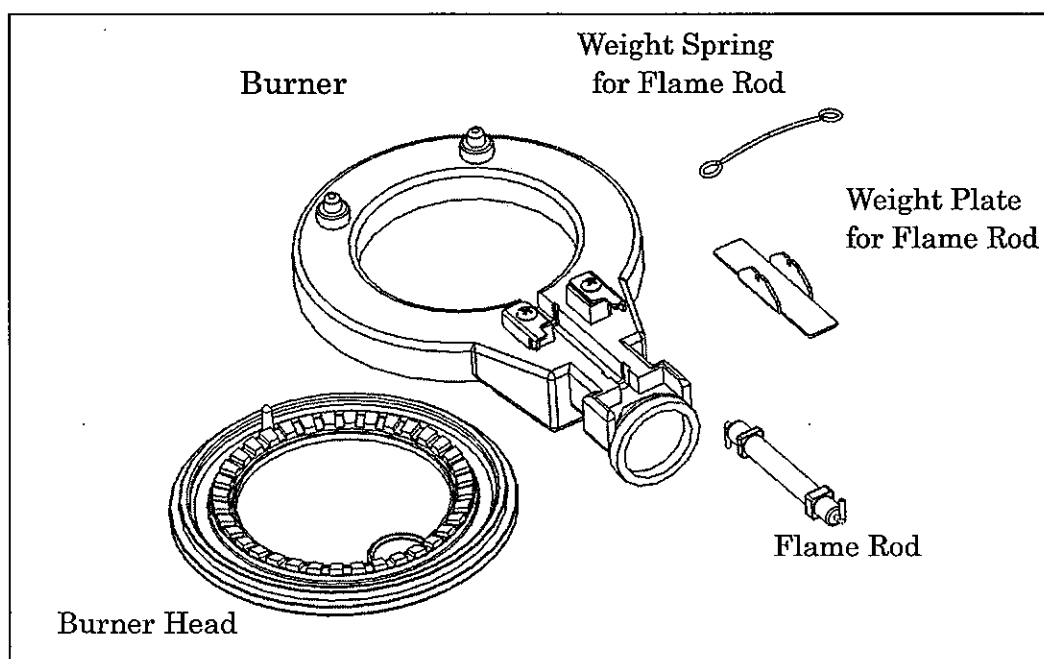
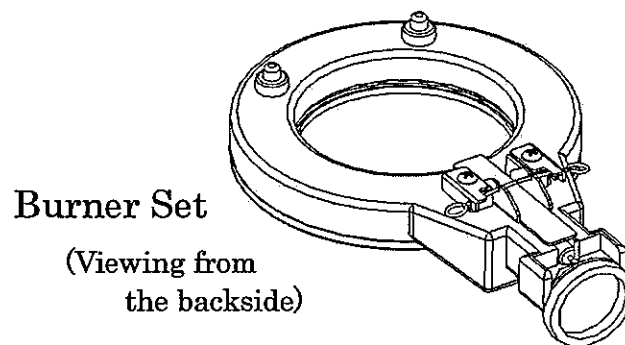
### Heat Shield Plate

Wash the top ring, metal heating plate, holder for heating plate and heat shield plate with water and neutral detergent each time it becomes dirty every day. Pay your attention not to handle these parts roughly. Rough or careless handling will cause cracks or chips. For the Top Ring, wipe it gently with a somewhat hard sponge scourer along the slit.

## 2. Outer Ring

Wipe the outer ring with using a somewhat hard sponge scourer with water and neutral detergent.

## 3. Burner Set



#### a) For Burner

Remove the dirt with a metal brush.

As the burner is casting, never wash the burner in the water, or it will gather rust.

In case the burner is immersed or washed in water, dry the burner completely.

#### b) For Burner Head

Check the clogging of the burner ports. Remove the dirt with a metal brush.

(Clogging of the burner/burner head will cluster the flame on one side and will cause incomplete combustion.)

In case the burner is immersed or washed in water, dry the burner head completely.

#### c) For Flame Rod

Clean the Flame Rod regularly. with using a brush.

In case the flame rod is immersed or washed in water, dry it completely.

Stuck oil, dirt or wet on around the area will cause error (temperature failure) to detect the temperature of the Burner, and will cause malfunction of the safety device.

### 4. Filter

Soak the filter in the solution of detergent (for 2 hours) more than once a week, wash the filter with clean water, and then dry it completely.

※ Dirty filter will restrict the ventilating capacity.

### 5. Outer Case

Wipe inside of the outer tank with soft cloth or rag regularly.

Stuck oil, dirt, cooked meats, etc. may cause a fire.

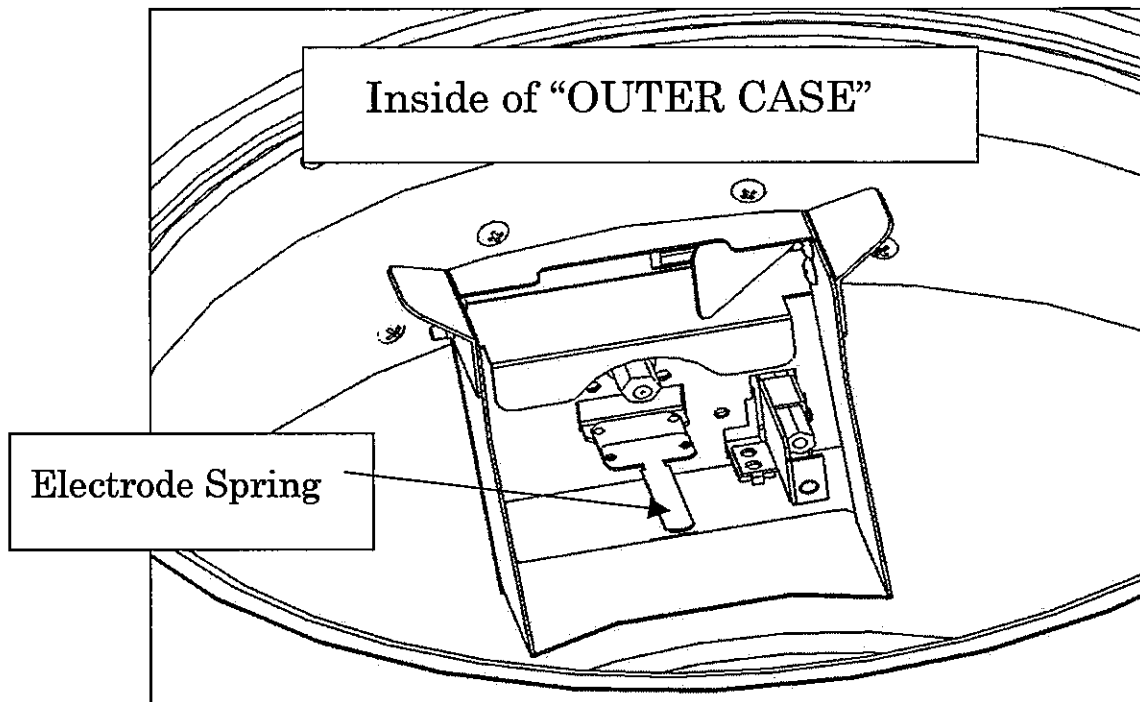
### 6. Electrode Spring (Flame Failure Safety Device)

For safety (Flame Failure Safety Device), a Flame Rod is installed in the roaster unit. The electrode spring is a point of contact part receiving a signal of a flame rod on a burner.

When this electrode spring is stained and dirty, it will cause error (temperature failure) to detect the temperature of the Burner.

The Flame Rod is designed to detect incorrect flame temperature, and will shut off the gas automatically as "FLAME FAILURE SAFETY DEVICE".

Therefore, always keep the area around the detector clean with wiping regularly. The electrode spring is transformed easily and handle it carefully.



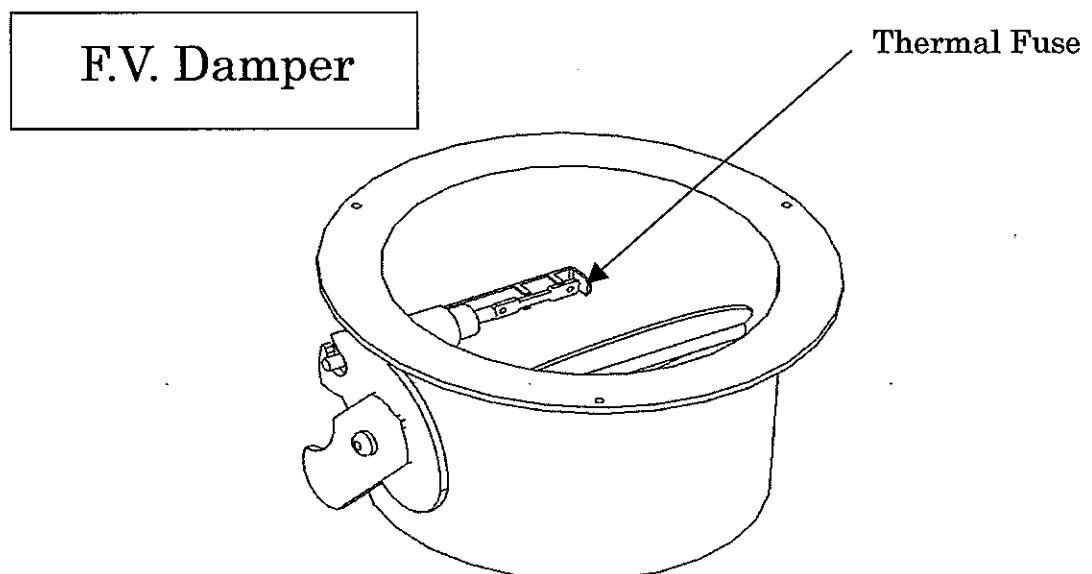
## 7 F. V. Damper (Fire Volume Damper)

Wipe the damper with soft cloth (or rag) regularly.

Soiled damper with stuck oil will be an obstacle for correct operation of fire-protection, and will cause the fire.

In case the F. V. Damper is operated (shut), turn the holder for temperature fuse (thermal fuse) counter-clockwise, and remove the thermal fuse for changing. Set the holder for temperature fuse for recovery.

The F. V. Damper (Fire Volume Damper) is designed to shut automatically in case the flame tries to flow into the exhausting-pipe.



# SPECIFICATION

**Model No.: JX-M (Gas Metal Heating Plate Type Roaster)**

**Electrical: 220V, 1Ph, 50/60Hz.**

**Electric Consumption: 8 W**

**Water Tank Capacity: 1,400 cc**

**Required Exhaust Air Volume: 280 m<sup>3</sup>/h**

**Required Fresh Air Supply Volume: 280 m<sup>3</sup>/h**

**Required Resistance Air Pressure: 160 Pa**

**Cooling Load: 3.81 kW**

**Gas Consumption: City Gas 3.49 kW (3,000 Kcal/h)**

**L.P. Gas 3.49 kW (0.25 Kg./h)**

**Ignition: Pilot Light Ignition**

**Safety Devices:**

- 1) Automatic Gas Shut-Off (Flame Failure) Safety Device
- 2) Back-Fire Protection Device
- 3) Electric Leakage Protection Device
- 4) Automatic Duct Damper Shut-Off Device

**CHUBU CORPORATION**

1533-1, Dogamine, Hagasaki, Kuwana, Mie,

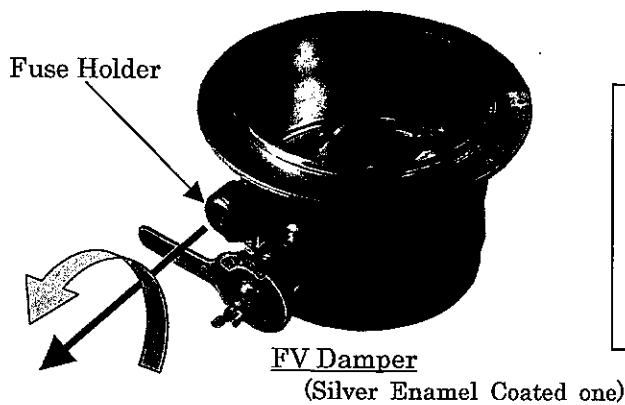
511-0944, Japan

Phone: 81-594-32-1138

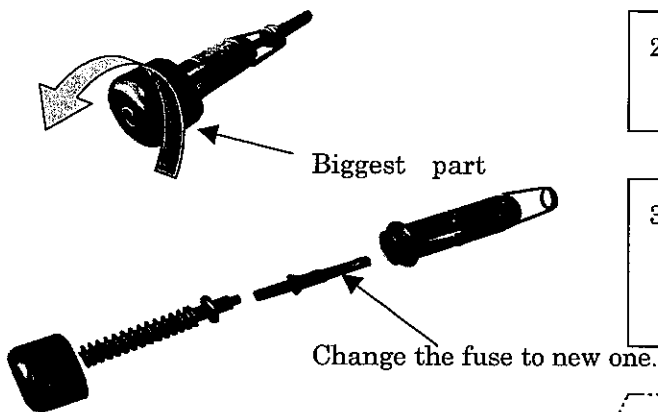
Fax: 81-594-32-1115



# How to change the Thermal Fuse



- 1) Turn the Fuse Holder to the left. (counter-clockwise) until it comes off. Pull the fuse and remove it from the FV Damper.



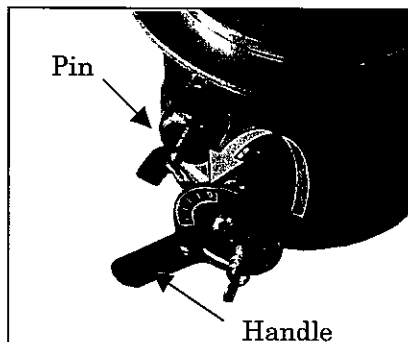
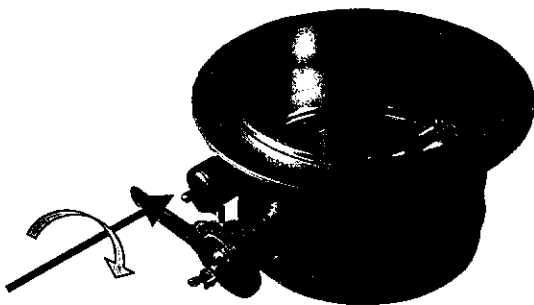
- 2) Turn the biggest part of the fuse holder to the left, and disassemble it as per the picture.

- 3) Change the fuse to a new one, and assemble the fuse holder with the reverse procedure of 2).



- 4) Insert the fuse holder into the FV Damper, and screw it to the interior firmly with turning it to the right (clockwise).

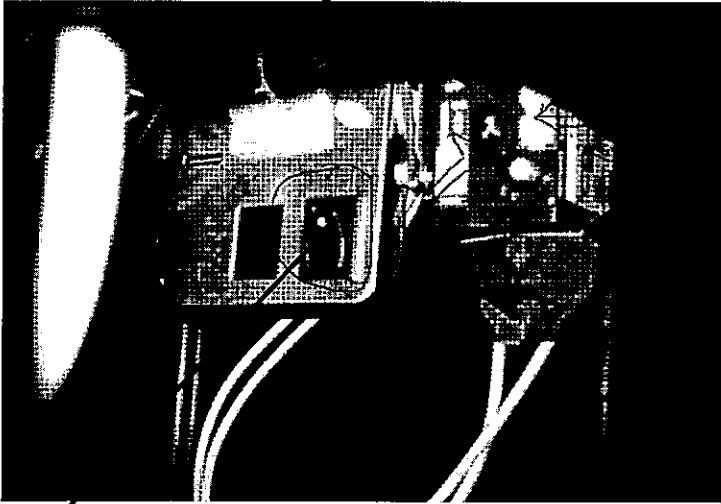
- 5) Turn the Handle to the left, and if the Pin is locked., it is OK and is s completion. (Check the Pin is locked)



## Notice

The thermal fuse is an important safety device. Use the thermal fuse only for our roaster. (exclusive- use). For the thermal fuse, contact the factory (Chubu Corporation) or the local distributors.

This switch is for the "BREAKER" (CIRCUIT BREAKER).  
The position on this picture is the right and correct position.



This switch is a "CANCEL SWITCH" for the Flame-Failure Safety Device.  
The position on this picture is the right and correct position for working  
the Flame-Failure Safety Device. (The safety device is operated).  
When you press down the white dot side, the "CANCEL SYSTEM" (for safety device).  
will be started to kill (cancel) the Flame-Failure Safety Device.)  
The reason why for being this switch is for restaurant's temporary need/use of the roaster.  
When the Flame-Failure Safety Switch is operated, due to abnormal temperature or other  
unknown reason, the gas will be automatically shut-off. (the flow of gas is stopped.)  
Then the restaurant can not use the roaster unit. So for their need of temporary using of  
the roaster, this CANCEL SWITCH (for safety device) is available.  
When you press down the white dot side, the "CANCEL SYSTEM" (for safety device).  
will be turned ON and the gas can be flowed.  
But please note that Cancelling the Safety Switch means that the gas will be kept flowing  
during the Cock Switch Knob is turned left, and it is dangerous!!  
In this case, there is no Safety Device for gas on the roaster, and it is dangerous.  
This Cancel switch must be strictly for temporary use for the restaurant's emergent need of  
using the roaster.